

Solar Powered L-810 CK Series Red LED Low Intensity Light

Manufacture Compliance:

- ICAO Annex 14, Volume I, 6th Edition, July, 2013
- ICAO Aerodromes Design Manual, Chapter 18
- FAA AC150/5345-43G
- FAA Engineering Brief 67 Specifications

Applications:

- ICAO low intensity type A/B
- FAA L-810 type

Advantages:

- Free maintenance.
- ON/OFF switch on the top housing.
- Portable and integrated type, easy transportation.
- Autonomy more than 15 days without sunshine.
- LED low power consumption only 5 Watts average.
- Internal single chip computer control smart and reliable.
- Surge protection device integrated in the light.

Electrical Features:

- Operation voltage:6V DC.
- Lamp:100,000 hours high quality.
- FPM:Default fixed type, flash type optional.
- Color:Red.
- Flash/Fixed:Both available.
- Light intensity: >32cd nighttime.
- Output:360° horizontal; >10° vertical.
- Photo sensor:100Lux
- Lighting protection level:10KA

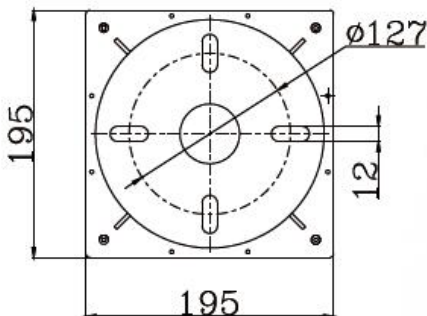
Solar Features:

- Battery: lead acid battery.
- Panels: 4×Polycrystalline silicon panels(>18% efficiency).

Physical Features:

- Housing: casting aluminum&stainless steel 304.
- Finish: UV stablized yellow spraying plastic.
- Overall size: $\phi 19.5\text{cm} \times 39.3\text{cm} (\phi 7.6'' \times 15'')$.
- Mounting size: $\phi 12.7\text{cm} - 4 \times \text{M10}$.
- IP rating: IP65.
- Weight: 8KG.
- Operating: -40°C to 60°C .
- Wind speed: 80m/s.

Mounting:



The solar powered beacon utilizes state-of-the-art optical design to achieve smaller and portable shapes, better efficient and lower consumption. Its robust will provide years of maintenance free service.

Order Code:

Type	Work	Lamp	Synchronized Method
11T	S: Steady ¹ F: Flash ²	LED Infra-red	00 ³ GPS ⁴

¹ The light is steady burning type default.

² Customized flash type, frequency customized on request.

³ 00 is standard type, fixed type.

⁴ GPS: Internal GPS flash synchronization to operate in unison between multiple obstruction lights.

Optional Types:

- Solar L-864 type/Medium intensity type B.
- Solar L-865 type/Medium intensity type A.
- Solar White&Red dual type/Medium intensity typeA&B.