

Solar Powered L-864 CK Series Red LED Medium Intensity Beacon

Compliance&Approval:

- ICAO Annex 14, Volume I, 6th Edition, July, 2013
- ICAO Aerodromes Design Manual, Chapter 18
- FAA AC150/5345-43G
- FAA Engineering Brief 67 Specifications
- Lamp head certified to ICAO compliant by Intertek

Applications:

- ICAO medium intensity type B
- ICAO medium intensity type C
- FAA L-864 type

Advantages:

- GPS synchro available.
- Infra-red available.
- Portable and integrated type, easy transportation.
- Autonomy more than 15 days without sunshine.
- LED low power consumption only 10 Watts average.
- Internal single chip computer control smart and reliable.
- Surge protection device integrated in the light.

Electrical Features:

- Operation voltage:12V DC.
- Lamp:100,000 hours high quality LED 10Watts average.
- FPM:20 to 60 flashes/per minute pre-set in factory.
- Color:Red.
- Flash/Fixed:Both available.
- Light intensity: >2000cd nighttime.
- Output:360° horizontal; 4° vertical.
- Photo sensor:100Lux
- Lighting protection level:10KA

Solar Features:

- Battery: 12V-24AH lead acid battery.
- Panels: 4×Polycrystalline silicon panels(>18% efficiency).

Physical Features:

- Housing: casting aluminum&stainless steel 304.
- Outer lens: UV stabilized polycarbonate
- Finish: UV stablized yellow spraying plastic.
- Overall size: φ25.5cm×51.5cm(φ10''×20'').
- Mounting size: φ10.5cm-4×M10.
- IP rating: IP65.
- Weight: 17KG.
- Operating: -40°C to 60 °C.
- Wind speed: 80m/s.

Optional Types:

- Solar L-810 type/Low intensity type A/B.
- Solar L-865 type/Medium intensity type A.
- Solar White&Red dual type/Medium intensity type A&B.

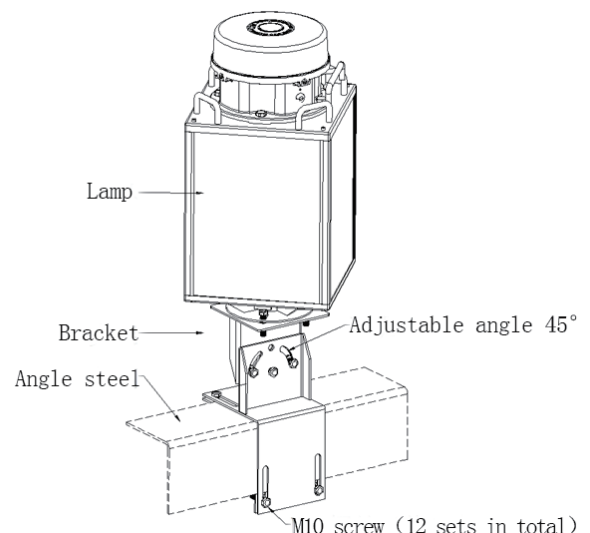


The solar powered beacon utilizes state-of-the-art optical design to achieve smaller and portable shapes, better efficient and lower consumption. Its robust will provide years of maintenance free service. It will be the user's best choice to protect their benefits.

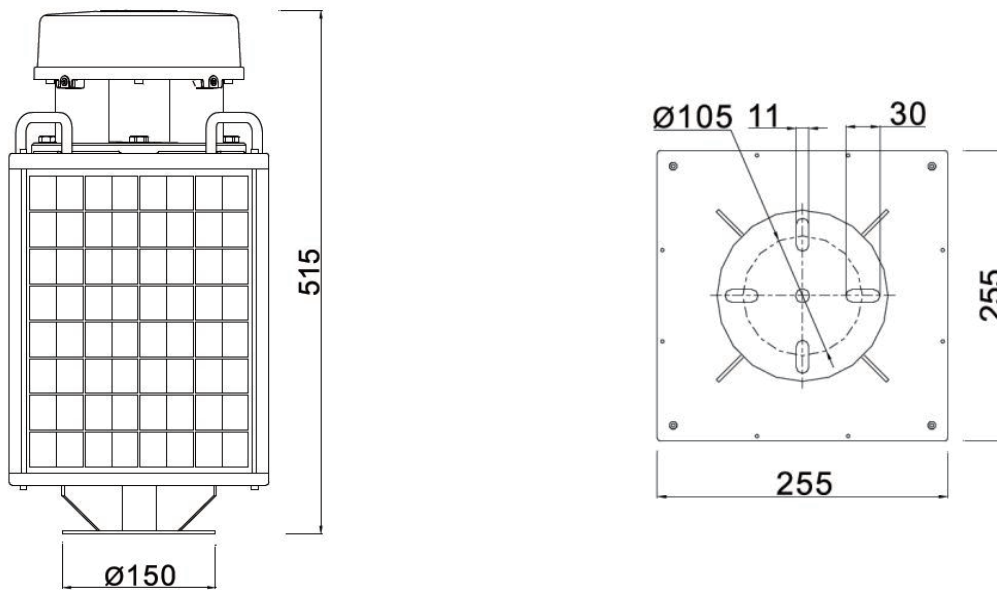
It is used increase conspicuity of structures or obstructions during nighttime.

Popular applications like : Telecom, cranes, bridges, etc.

Mounting View:



General Dimensions



Ordering Code:

Type	Flash	FPM ¹	Lamp	Synchronized Method	Housing Finish Color	Lamp Cover Finish Color
Model	F: Flashing	20	LED	00 ³	Y: Yellow	C: Clear
16T		40	Infra-Red	GPS ⁴		R: Red
		60				
		NF ²				

¹ FPM:Flashes per minute

² NF: No Flashes, order steady type by "16T-F-NF...".

³ 00: Standard single light, lights will independently flashing.

⁴ GPS: Internal GPS flash synchronization to operate in unison between multiple obstruction lights