

HL-50 LED 8" Flush Heliport Perimeter Inset Light

HL-50 flush heliport light proved to be reliable quality and installed at all kinds of helipads worldwide.
Heliport Perimeter Light is used for night operation, to use omnidirectional green perimeter light lit up the heliport TLOF/FATO edge area.

Applications:

- Helipads at rooftop, surface ground, ships, helidecks, etc.
- Flush mounted marking edge of FATO area or TLOF area
- Flight path alignment lights
- Landing direction lights
- Taxiway edge lights-blue

Compliant & Certification:

- ICAO Annex 14, Volume II, 4th Edition, July, 2013
- FAA AC150/5390-2C
- Exceeds FAA Engineering Brief 87 Specifications

Why HL-50:

- Flush type, lens above the grade only 15mm after installations.
- Fixture can be used with 90V~265V AC, 50Hz or 60Hz.
- Heat & corrosion resistant lens ensure outdoor operation performance.
- Unique optical lens design exceed ICAO required optical performance.
- Consist of internal cap and external mounting base (can).
- Reserved waterproof cable glands on mounting can, 1 in-1 out, easy installations.

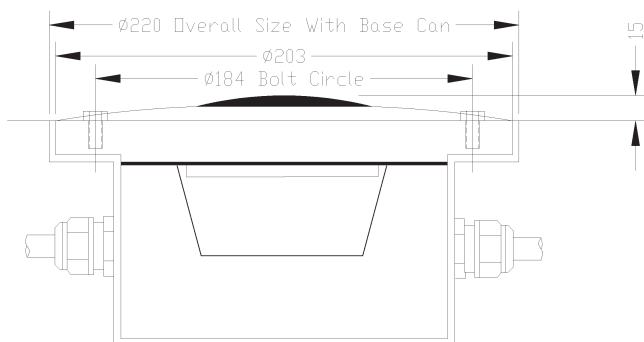
Optical Characteristics:

Elevation angle	Azimuth	Light Intensity
20° to 90°	-180° to 180°	>3cd
13° to 20°	-180° to 180°	>8cd
10° to 13°	-180° to 180°	>15cd
5° to 10°	-180° to 180°	>30cd
2° to 5°	-180° to 180°	>15cd

Electrical Characteristics:

- Power by 90V to 265V AC, or 10V to 30V DC.
- <20W power consumption.
- Green color LED light source 100,000 hours lifetime.
- Dimming of brightness function available with customized controller.
- Switchable dual colors is available with customized controller.
- VHF control with customized controller.

Drawings:



Physical Characteristics:

- Die-casting aluminum bodys.
- All hardwares shall be stainless steel.
- Powder coating finish for the light.
- Heat & Corrosion resistant high borosilicate glass lens.
- Sealed & protected, ingress grade rating IP68.
- Light diameter 8"/20.32cm, bolt circle 7.25inch/18.42cm.
- External size with mounting can: ø22cm, 13cm in height.
- Total net weight 5.5KG.

Environmental:

- Operating at -30°C to 70 °C.
- Wind speed: 80m/s.

Ordering codes:

Type	Output	Voltage	Mounting & Options
HL-50	G: Green B: Blue R: Red Y: Yellow IR: Infrared	AC: 100/250V DC: 10/30V	Standard (mounting can) ¹ VB: Variable brightness ² SC: Switchable dual color ³ NVG: NVG Compatibility ⁴

¹ Standard type default come with mounting can already.

² Variable brightness, 3 level brightness controlled.

³ Switchable dual colors, omnidirectional, manual switch to Red/OFF/Green to realize a signal for pilots "Red" close to landing and "Green" available to land.

⁴ For Night Vision Goggles (NVG), combining normal color LED with infrared LEDs to render light visible in NVG and without NVG.

